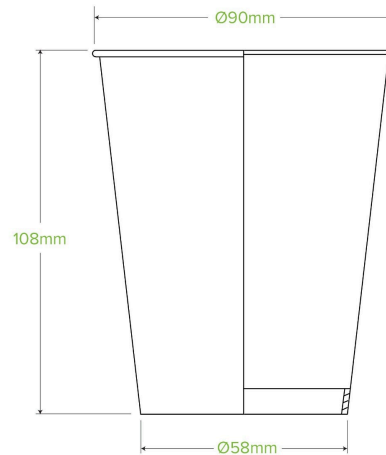


390ml / 12oz Green Cold Paper BioCup BCC-12-G



FSC™ certified green cold paper BioCups are lined inside and out with Ingeo™, a bioplastic made from plants, not oil – making them the perfect option for cold drinks. Certified industrially compostable (AS4736). Match with home compostable sugarcane lids (AS5810) or PLA-lined paper lids.

Carton quantity: 1000	Sleeves per carton: 20	Units per sleeve: 50
Carton Size LxWxH (cm): 45.5x36.5x49	Raw Material: Paper	Lining/coating: Bioplastic - Ingeo®, PLA
Window Material: None	Inks: Food Contact Safe Inks	Brim fill capacity (ml): 400
Dimensions top LxW (mm): 90x90	Dimensions base LxW (mm): 58x58	Product Depth: 108
Product weight (g): 11	Thickness: 263gsm	Use: Hot, Cold, Wet & Dry Products
Manufactured: China	Customise: Print	MOQ custom: 50000
Mould fees: Yes - see custom packaging	Environmental production certified: ISO 14001	Quality product certified: ISO 9001
Factory food safety certified: BRC	Corporate social accreditation: SMETA	Home compostable: No
Industrially compostable: Certified to AS4736 Australian Standards, Certified to EN13432 European Standard	Recyclable: No	